

BJ101

ADJUSTABLE TOE CLAMPS

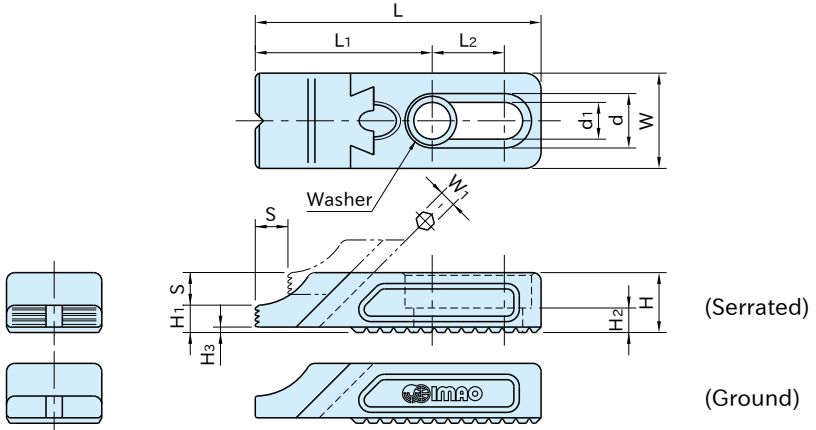


(Serrated)



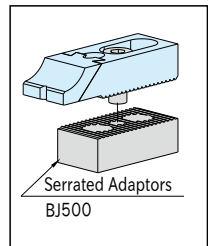
(Ground)

Body	Sliding Nose
SCM440 steel Quenched and tempered Black oxide	SCM440 steel Induction hardened (clamping face) Black oxide Precision ground (ground style only)



Nose	Part Number	S	W	H ₁	H ₃	L ₁	L ₂	L	d ₁	d	H ₂	H	W ₁
Serrated	BJ101-08016	7	25	7.5	1.5	45	16.5	71.5	8.5	14	7	16	4
	BJ101-12022	12	35	10	2	65	26.5	105	13	20	9	22	6
	BJ101-16030	14	40	14		89.5	30	137	17	26	13	30	8
Ground	BJ101-08116	7	25	7.5	1.5	45	16.5	71.5	8.5	14	7	16	4
	BJ101-12122	12	35	10	2	65	26.5	105	13	20	9	22	6
	BJ101-16130	14	40	14		89.5	30	137	17	26	13	30	8

Nose	Part Number	When Used Singularly		When Used with Slide Stop		Weight (g)
		Clamping Force (kN)	Allowable Screw Torque (N·m)	Clamping Force (kN)	Allowable Screw Torque (N·m)	
Serrated	BJ101-08016	3.6	6.5	4	8	150
	BJ101-12022	7.4	19	10.4	26	400
	BJ101-16030	11.7	32	24	60	830
Ground	BJ101-08116	3.6	6.5	4	8	150
	BJ101-12122	7.4	19	10.4	26	400
	BJ101-16130	11.7	32	24	60	830



How To Use

BJ500 Serrated Adaptors are available for additional height and firm positioning.

Supplied With

1 of washer

Related Product Page

BJ101-02 Clamping Screws