

BJ102

ADJUSTABLE SIDE CLAMPS



(Serrated Nose)



(Smooth Nose)

[Body & Jaw Carrier]

Material : SCM440 steel

Heat Treat : Quenched and tempered

Finish : Black oxide

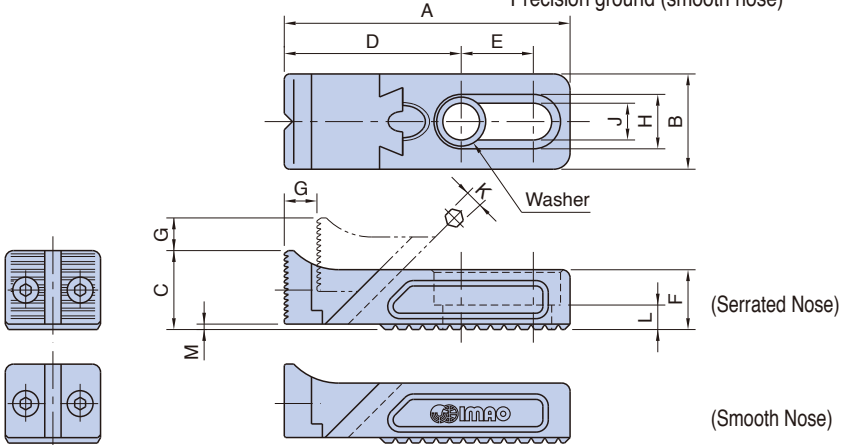
[Jaw]

Material : SCM440 steel

Heat Treat : Quenched and tempered

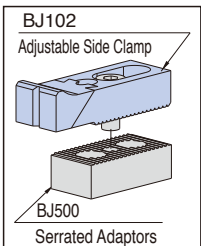
Finish : Black oxide

Precision ground (smooth nose)



Nose	Part Number	A	B	C	D	E	F	G	H	J	K	L	M
Serrated	BJ102-08016	71.5	25	19.5	45	16.5	16	7	14	8.5	4	7	1.5
	BJ102-12022	105	35	29	65	26.5	22	12	20	13	6	9	2
	BJ102-16030	137	40	38	89.5	30	30	14	26	17	8	13	
Smooth	BJ102-08116	71.5	25	19.5	45	16.5	16	7	14	8.5	4	7	1.5
	BJ102-12122	105	35	29	65	26.5	22	12	20	13	6	9	2
	BJ102-16130	137	40	38	89.5	30	30	14	26	17	8	13	

Nose	Part Number	When Used Singularly		When Used with Slide Stop		Weight (g)
		Clamping Force (N)	Allowable Screw Torque (N·m)	Clamping Force (N)	Allowable Screw Torque (N·m)	
Serrated	BJ102-08016	3,600	6.5	4,000	8	160
	BJ102-12022	7,400	19	10,400	26	440
	BJ102-16030	11,700	32	24,000	60	920
Smooth	BJ102-08116	3,600	6.5	4,000	8	160
	BJ102-12122	7,400	19	10,400	26	450
	BJ102-16130	11,700	32	24,000	60	930



How To Use

BJ500 Serrated Adaptors are available for additional height and firm positioning.

Furnished parts

1 of washer

Related Product Page

[BJ101-02](#) Clamping Screws