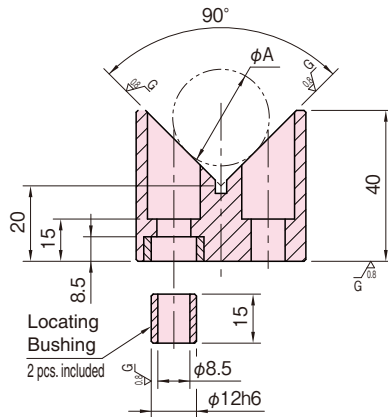
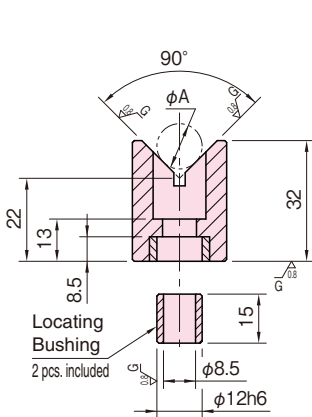
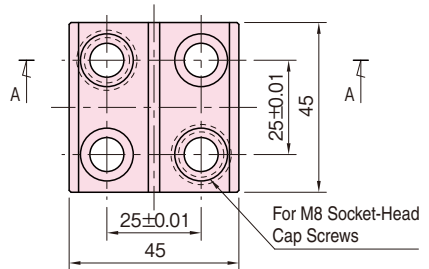
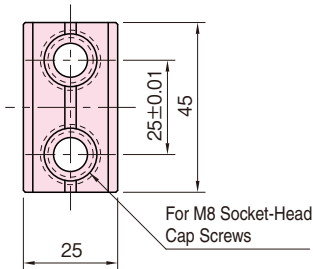


BJ440 (Mini)

HORIZONTAL V BLOCKS



Material : S45C steel
 Heat Treat : Induction hardened
 Finish : Black oxide
 Precision ground



Section A-A

BJ440-08032

BJ440-08040

Part Number	A		Weight (g)
	Min.	Max.	
BJ440-08032	10	25	200
BJ440-08040	15	50	370