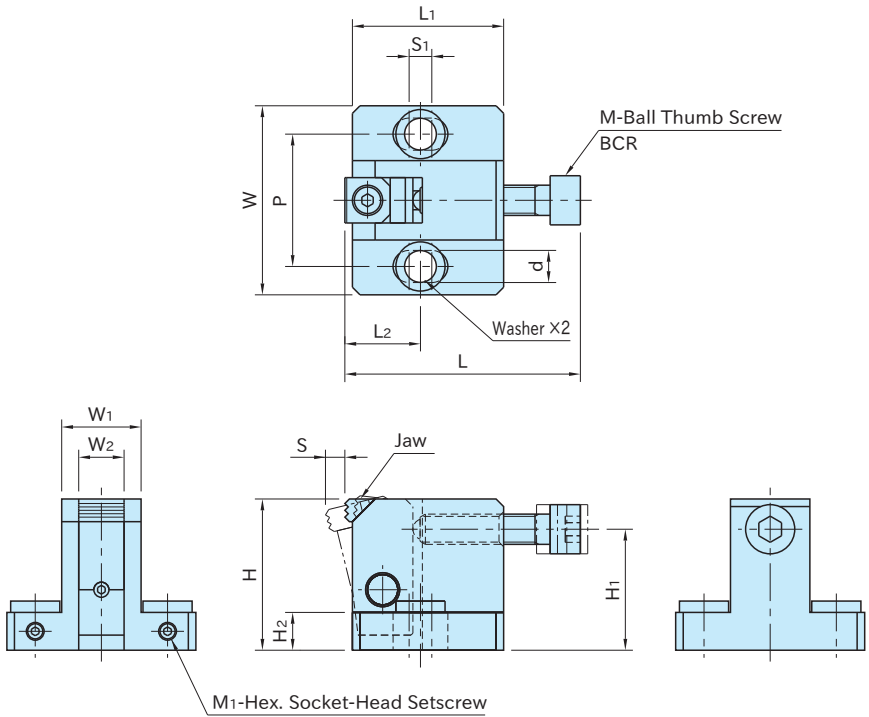


CP101

SIDE CLAMPS



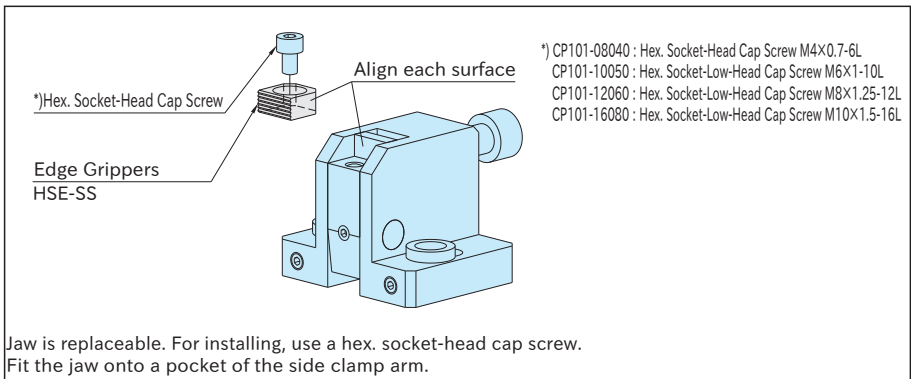
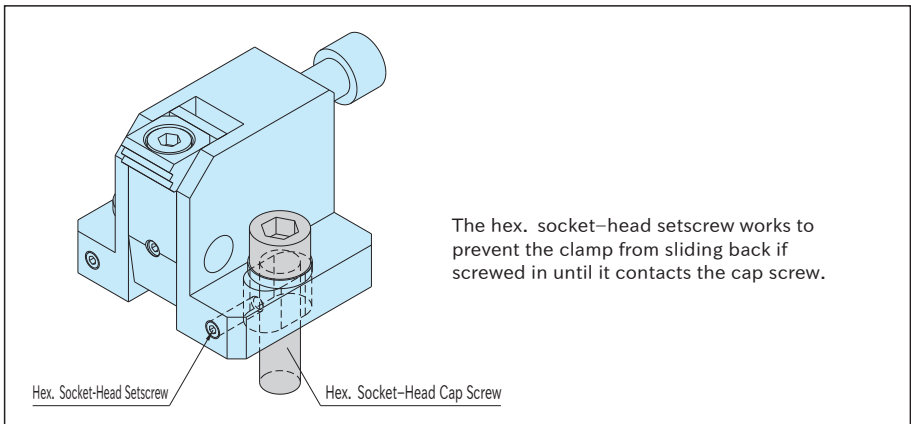
| Body | Arm | Jaw |
|----------------------------------|---|--|
| S45C steel Black oxide finish | S45C steel Quenched and tempered Black oxide finish | SKH51 steel Quenched and tempered Black oxide finish |



| Part Number | S | W ₂ | L ₂ | H | W | L | W ₁ | L ₁ | d | S ₁ | H ₂ | P | M ₁ |
|--------------------|------|----------------|----------------|----|----|------|----------------|----------------|-----|----------------|----------------|----|----------------|
| CP101-08040 | 5.3 | 12 | 20 | 40 | 50 | 62.5 | 21 | 40 | 8.5 | 6 | 10 | 35 | M4×0.7-10L |
| CP101-10050 | 7.1 | 16 | 25 | 50 | 65 | 74 | 27 | 50 | 11 | 8 | 12 | 45 | M4×0.7-12L |
| CP101-12060 | 8 | 20 | 30 | 60 | 70 | 91 | 31 | 60 | 13 | 10 | 15 | 50 | M5×0.8-15L |
| CP101-16080 | 10.2 | 25 | 40 | 80 | 90 | 115 | 39 | 80 | 17 | 15 | 20 | 65 | M6×1 -20L |

| Part Number | M | H ₁ | Clamping Force(kN) | Allowable Screw Torque(N·m) | Weight (kg) | Proper Jaws |
|--------------------|--------------|----------------|--------------------|-----------------------------|-------------|-------------|
| CP101-08040 | M 8×1.25-35L | 32 | 15 | 25 | 0.33 | HSE-9126-SS |
| CP101-10050 | M10×1.5 -40L | 40 | 27 | 50 | 0.66 | HSE-9166-SS |
| CP101-12060 | M12×1.75-50L | 48 | 38 | 90 | 1.06 | HSE-9200-SS |
| CP101-16080 | M16×2 -60L | 64 | 46 | 130 | 2.38 | HSE-9250-SS |

How To Use



Supplied With

Two flat washers