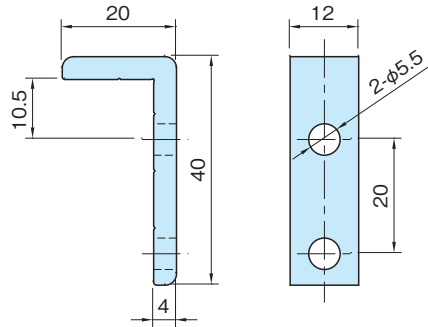
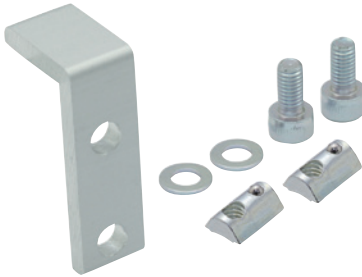


MAU5040-ST02

PAIR OF STOPS

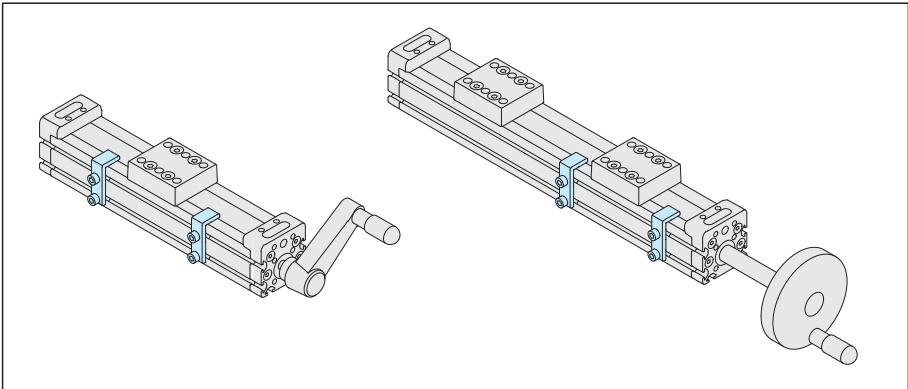


Part Number	Weight (g)
MAU5040-ST02	20

Body
Equivalent to A6N01 aluminum Anodized Natural color

How To Use

For limiting the travel of Carriages on Actuators.



Note

- Stops can be misaligned by shock or load from Carriages of Actuators.
- The surfaces inside the mounting holes and the both cut ends are not anodized.
- T-Nut can be inserted directly into the T-slot of the body. (Cannot be slide-inserted from the end plates.)
- Can not be used with [MAU3222**](#).

Supplied With

- 2 of M5×0.8-10L Hex-Socket Head Cap Screw
- 2 of round washer for M5 screws
- 2 of M5 T-Slot Nut