

QCSPL

ONE-TOUCH SPINDLE LOCKS



QCSPL-OG

(Plastic knob, Orange)

QCSPL-BK

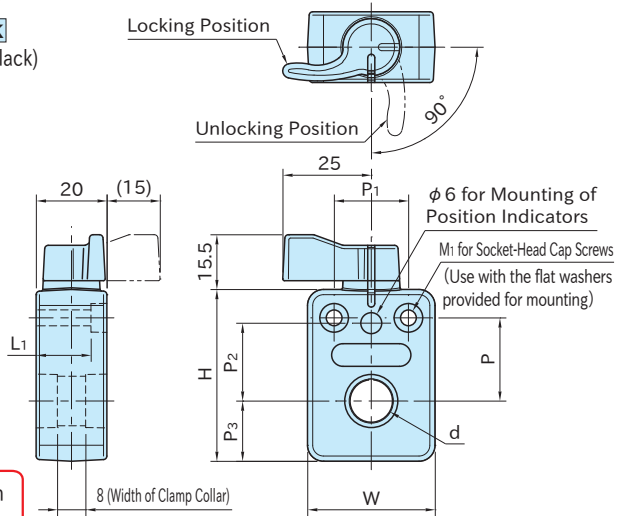
(Plastic knob, Black)



QCSPL-S

(Metal knob)

Type	Housing	Knob	Clamp Collar
QCSPL-OG	Polyamide (glass-fiber reinforced) Black	Polyamide (glass-fiber reinforced)	SUS630 stainless steel
QCSPL-BK			
QCSPL-S		SCS13 stainless steel (Equivalent to SUS304)	



★ Key Point
Secure locking of spindles with one-touch action!

Plastic Knob			Metal Knob			d	W	H	M ₁	L ₁	P	P ₁	P ₂	P ₃	Suitable shaft dia.(h7) *)
Part Number		Weight (g)	Part Number	Weight (g)											
Orange	Black														
QCSPL0408-OG	QCSPL0408-BK	50	QCSPL0408-S	70	8	36	48.5	M4	14	23.5	21	22	17		φ 8
QCSPL0410-OG	QCSPL0410-BK		10		φ 10										
QCSPL0412-OG	QCSPL0412-BK		12		φ 12										
QCSPL0414-OG	QCSPL0414-BK		14		φ 14										
QCSPL0912-OG	QCSPL0912-BK		12		φ 12										
QCSPL0915-OG	QCSPL0915-BK	100	QCSPL0915-S	120	12	51	69	M5	12.5	17	34	30	26		φ 15
QCSPL0916-OG	QCSPL0916-BK		15		φ 16										
QCSPL0920-OG	QCSPL0920-BK		16		φ 16										
QCSPL0920-OG	QCSPL0920-BK		20		φ 20										

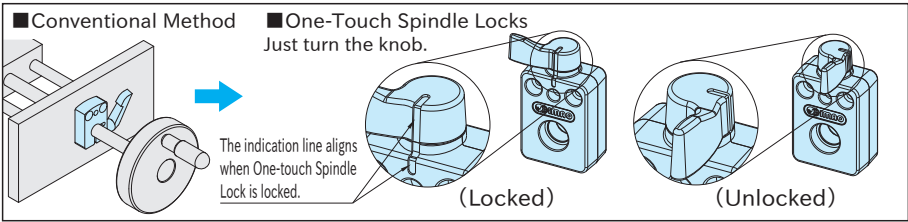
*) Using shafts with tolerances other than h7 may decrease the allowable holding torque or allowable sliding load

Supplied With

2 of Flat round washer(Stainless Steel)

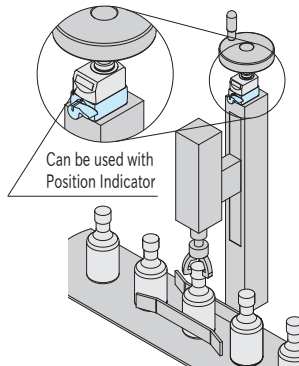
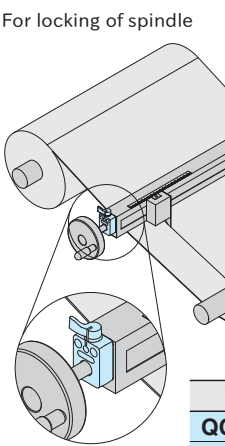
Feature

- One-touch Spindle Locks enable quick and secure locking of shafts with one click of the knob.
- When One-touch Spindle Lock is operated, the knob clicks and the shaft is locked with a steady force. This provides reliable locking of shafts.
- The knob position and the indication line clearly indicate lock/unlock position.

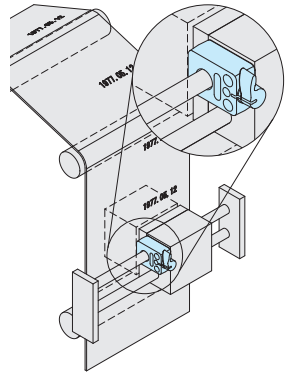


How To Use

For locking of spindle



For locking of sliding shaft



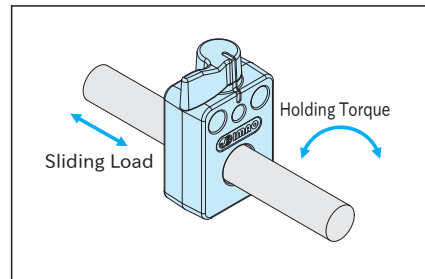
Note: To mount position indicators to One-touch Spindle Locks, use a rubber cushion supplied with position indicators.

Types	Suitable position indicators
QCSPL04	SDP-04
QCSPL09	SDP-09-N

Technical Information

One-touch Spindle Locks can fix both revolving and sliding of shafts.

Size	Allowable Holding Torque(N·m)	Allowable Sliding Load(N)
0408	3	400
QCSPL-0G	4	500
QCSPL-BK	0912	500
QCSPL-S	0915	
	0916	
	0920	



Note: The above information is for cold finished S45C steel bars with tolerance h7. Use this only as a guide.

Note

- Allowable tightening torque for mounting screws
QCSPL 04 Size: 1.5 N·m, QCSPL 09 Size: 3.0 N·m
 Note: Tightening with torque greater than the allowable tightening torque may cause failure by deformation of the body.
- This product cannot be used as bearings or guides for shafts.
- Shafts may slip in environments where shocks or vibrations are present.