

# BJ101-T

## ADJUSTABLE TOE CLAMPS with T-Slot Nut

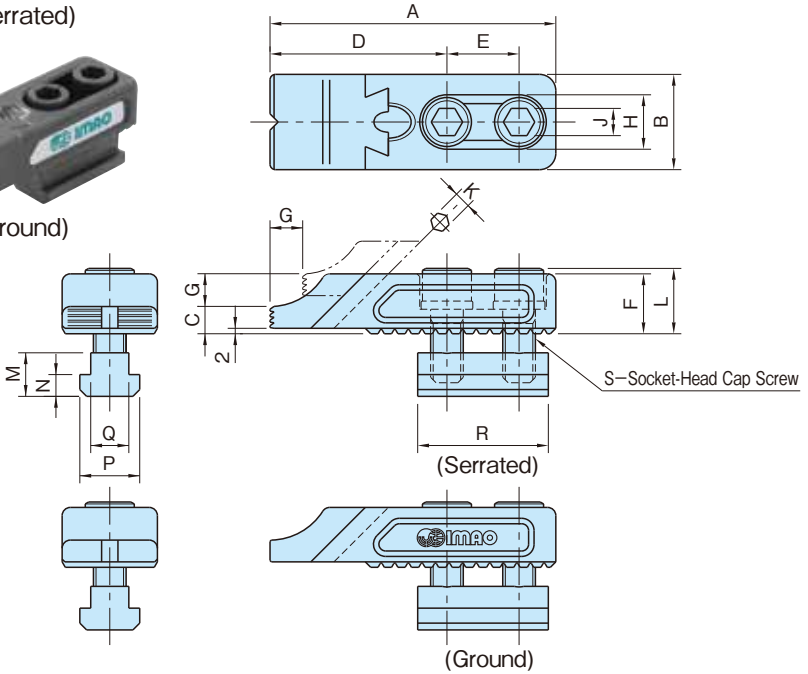


(Serrated)



(Ground)

Body	Sliding Nose	T-Slot Nut	Socket-Head Cap Screw
Steel(SCM440) Quenched and tempered Black oxide finish	Steel(SCM440) Induction hardened (clamping face) Black oxide finish Precision ground (ground style only)	Steel(S45C) Black oxide finish	Steel(SCM435) Black oxide finish



Type	Part Number	A	B	C	D	E	F	G	H	J	K	L	M
Serrated	BJ101-12022T	105	35	10	65	26.5	22	12	20	10	6	24	16
	BJ101-16030T	137	40	14	89.5	30	30	14	26	14	8	33	20
Ground	BJ101-12122T	105	35	10	65	26.5	22	12	20	10	6	24	16
	BJ101-16130T	137	40	14	89.5	30	30	14	26	14	8	33	20

Type	Part Number	N	P	Q	R	S	Clamping Force (N)	Allowable Screw Torque (N·m)	Weight (g)
Serrated	BJ101-12022T	8	22	14	48	M12×1.75-35L	7,400	19	570
	BJ101-16030T	10	28	18	55	M16×2 -45L	11,700	32	1,220
Ground	BJ101-12122T	8	22	14	48	M12×1.75-35L	7,400	19	570
	BJ101-16130T	10	28	18	55	M16×2 -45L	11,700	32	1,220

[Related Product Page](#)