

# BJ130-A

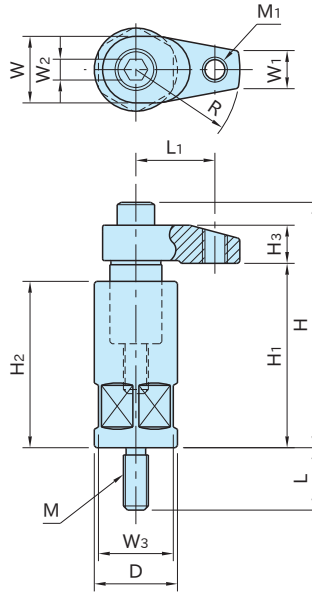
# HOOK-CLAMP ASSEMBLIES



M8 Size



M12 Size



Clamp Body
SCM435 steel Quenched and tempered Black oxide finish Precision ground
Holder
S45C steel Black oxide finish

Part Number	H <sub>1</sub>	M <sub>1</sub>	L <sub>1</sub>	R	D	H <sub>2</sub>	M	L	H
BJ130-08020A1	55~65	—	—	20	24	55	M 8x1.25	19	69~ 79
BJ130-08025A1				25					
BJ130-08030A1				30					
BJ130-10030A1	63~75	—	—	30	32	63	M12x1.75	30	87~ 99
BJ130-10030A2	80~92					80			104~116
BJ130-10040A1	63~75			63		87~ 99			
BJ130-10040A2	80~92			80		104~116			

Part Number	W	W <sub>1</sub>	H <sub>3</sub>	W <sub>2</sub>	W <sub>3</sub>	Clamping Force(kN)	Allowable Screw Torque(N·m)	Weight (kg)
BJ130-08020A1	22	10	12	6	22	12	30	0.23
BJ130-08025A1						11		0.24
BJ130-08030A1						10		0.25
BJ130-10030A1	25	12	15	8	30	13	38	0.60
BJ130-10030A2						10		0.70
BJ130-10040A1						10	32	0.61
BJ130-10040A2						10		0.71

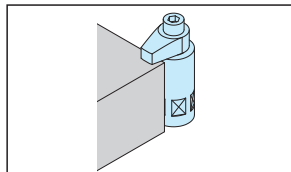
## Related Product

Use [BJ600](#) Cylindrical Risers for additional height.

## Note

Please put grease on sliding surface to prevent galling when using in dry condition.

## How To Use



Part Number	H <sub>1</sub>	M <sub>1</sub>	L <sub>1</sub>	R	D	H <sub>2</sub>	M	L	H					
BJ130-12040A1	80~95	—	—	40	40	80	M12x1.75	30	107~122					
BJ130-12040A2	100~115					100			127~142					
BJ130-12050A1	80~95					50			60	80	109~124			
BJ130-12050A2	100~115									100	129~144			
BJ130-12060A1	80~95									60	40	80	109~124	
BJ130-12060A2	100~115											100	129~144	
BJ130-12140A1	80~95			M12x1.75								31	80	107~122
BJ130-12140A2	100~115												100	127~142
BJ130-12150A1	80~95					38			50				80	109~124
BJ130-12150A2	100~115												100	129~144
BJ130-12160A1	80~95									46	60		80	109~124
BJ130-12160A2	100~115												100	129~144
BJ130-16040A1	80~95	—	—	40	50		80	M16x2				30	116~131	
BJ130-16040A2	100~115						100						136~151	
BJ130-16050A1	80~95					50	60		80				116~131	
BJ130-16050A2	100~115								100				136~151	
BJ130-16060A1	80~95								60	40	80		116~131	
BJ130-16060A2	100~115										100		136~151	
BJ130-16150A1	80~95			M12x1.75							38		80	116~131
BJ130-16150A2	100~115												100	136~151
BJ130-16160A1	80~95					46	60						80	116~131
BJ130-16160A2	100~115												100	136~151

Part Number	W	W <sub>1</sub>	H <sub>3</sub>	W <sub>2</sub>	W <sub>3</sub>	Clamping Force (kN)	Allowable Screw Torque (N·m)	Weight (kg)						
BJ130-12040A1	32	18	16	10	36	15	50	1.36						
BJ130-12040A2						1.56								
BJ130-12050A1						18		14	1.39					
BJ130-12050A2									1.59					
BJ130-12060A1									12	46	1.43			
BJ130-12060A2											1.63			
BJ130-12140A1			16				50				1.36			
BJ130-12140A2											1.56			
BJ130-12150A1						18		14			1.39			
BJ130-12150A2											1.59			
BJ130-12160A1									12	46	1.43			
BJ130-12160A2											1.63			
BJ130-16040A1	36	22	21	14	46		18				80	2.11		
BJ130-16040A2							2.42							
BJ130-16050A1						16.5	16	16.5				2.16		
BJ130-16050A2												2.47		
BJ130-16060A1									16	16.5		2.22		
BJ130-16060A2												2.53		
BJ130-16150A1												16.5	16	2.16
BJ130-16150A2														2.47
BJ130-16160A1						16	16	2.22						
BJ130-16160A2								2.53						