

# BJ210

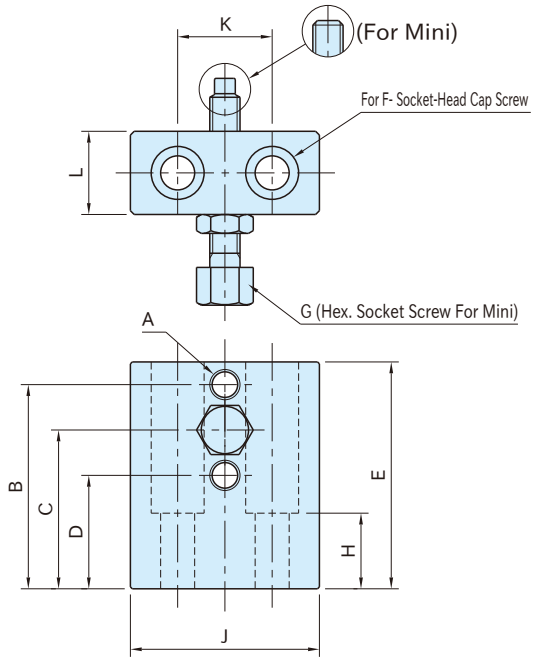
# ADJUSTABLE STOPS



**BJ210**-08032



**BJ210**-16125



[Body]

Material : S45C steel

[Screw]

Material : SCM435 steel

Heat treat : Quenched and tempered

Induction hardened

(Stick part)

Finish : Black oxide

Part Number	A	B	C	D	E	F	G	H	J
<b>BJ210-08032</b>	M 8×1.25	32	20	—	40	M 8	M 8×1.25- 50L	20	50
<b>BJ210-16125</b>	M16×2	125	100	80	150	M16	M16×2 -110L	46	100

Part Number	K	L	Weight (kg)
<b>BJ210-08032</b>	25	22	0.32
<b>BJ210-16125</b>	50	50	5

### Features:

- Side stop that offers three(two for mini) options of screw height.
- Can also be used as auxiliary clamps.

### How To Use

