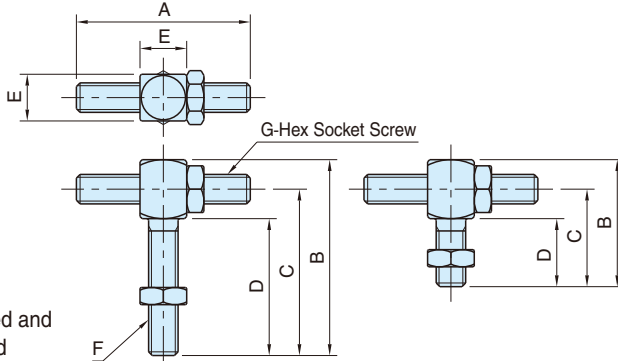


BJ211

ADJUSTABLE MINIATURE STOPS



Material : S45C steel
Heat treat : Quenched and tempered
Finish : Black oxide

BJ211-*01** Tall

BJ211-*11** Short

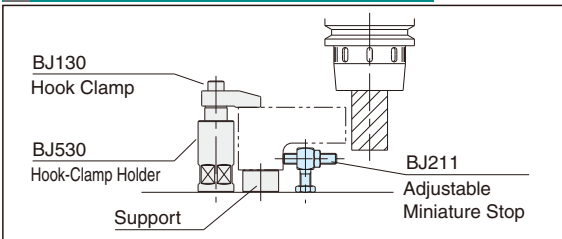
BJ211-*01** Tall

Part Number	A	B	C	D	E	F	G	Weight (g)
BJ211-08001	40	56	48	40	13	M 8x1.25	M 8x1.25	60
BJ211-10001	50	70	60	50	17	M10x1.5	M10x1.5	120
BJ211-12001	60	84	72	60	19	M12x1.75	M12x1.75	190
BJ211-16001	80	112	96	80	24	M16x2	M16x2	410

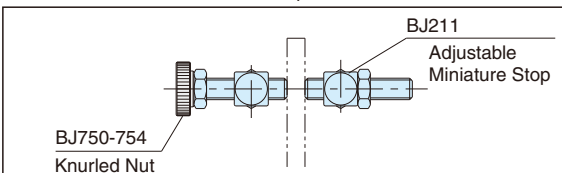
BJ211-*11** Short

Part Number	A	B	C	D	E	F	G	Weight (g)
BJ211-08011	40	36	28	20	13	M 8x1.25	M 8x1.25	45
BJ211-10011	50	45	35	25	17	M10x1.5	M10x1.5	90
BJ211-12011	60	54	42	30	19	M12x1.75	M12x1.75	140
BJ211-16011	80	72	56	40	24	M16x2	M16x2	310

How To Use



Miniature size allows use in small space



Can be used as auxiliary clamps.

