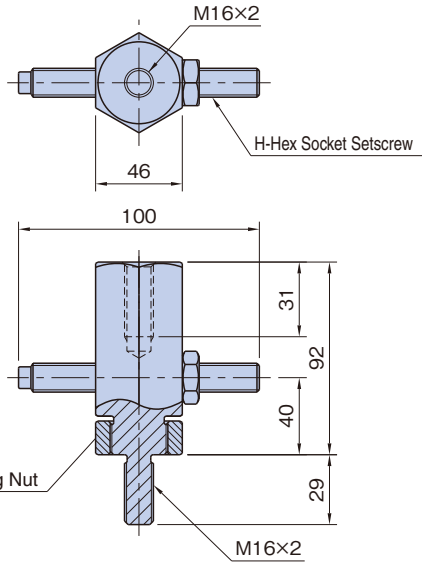


BJ213

ADJUSTABLE ADAPTOR STOPS



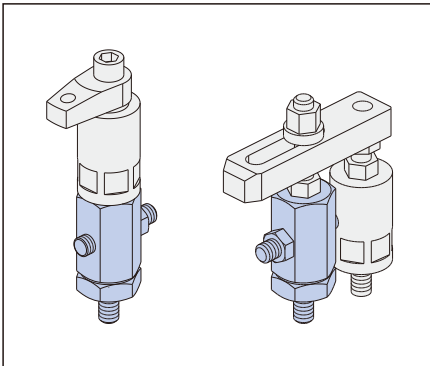
Material : S45C
Heat Treat : Quenched and tempered
Finish : Black oxide

Part Number	Weight (g)
BJ213-16092	1,486

How To Use

Set the setscrew at any desired position and then tighten the locking nut.

Feature:



These stops can be mounted in alignment with clamps, for space saving.