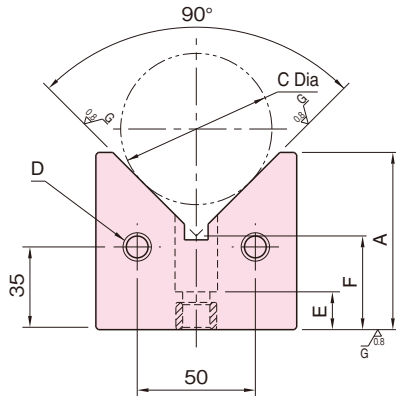
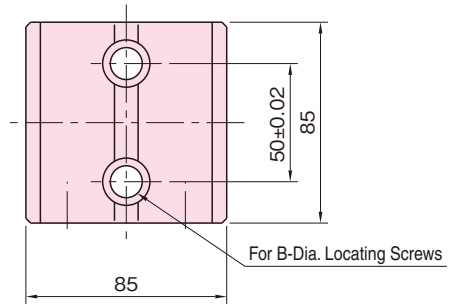


# BJ440 (Standard & Heavy)

# HORIZONTAL V BLOCKS



Material : S45C steel

Heat Treat : Quenched and tempered (Rc 45 - 55)

Finish : Black oxide

Precision ground

Part Number	A	B (F7)	C		D	E	F	Locating Screws	Weight (kg)
			Min.	Max.					
<b>BJ440-12063</b>	63	12	15	80	M12x1.75	22	34.72	BJ700-12055	2.9
<b>BJ440-12075</b>	75			100	30-deep		39.65		3.3
<b>BJ440-16063</b>	63	16	15	80	M16x2	25	34.72	BJ700-16065	2.9
<b>BJ440-16075</b>	75			100	35-deep		39.65		3.3