

BSR,BSF

BALL SCREWS, Steel & Stainless Steel Balls



BSR

(Round Contact, Steel)

BSF

(Flat Contact, Steel)

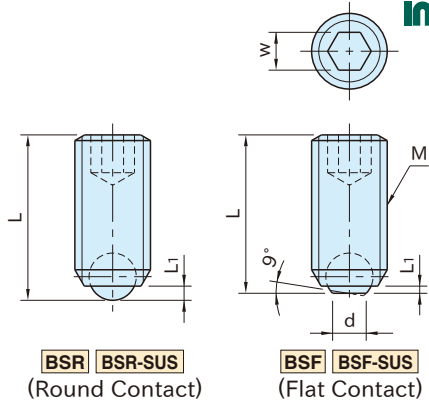


BSR-SUS

(Round Contact, Stainless Steel)

BSF-SUS

(Flat Contact, Stainless Steel)



BSR BSR-SUS

(Round Contact)

BSF BSF-SUS

(Flat Contact)

Type	Body	Ball
BSR	Steel (1 SCM435) Black oxide finish Heat treated to Rc33-39	Steel (1 SUJ2) Quenched and tempered Heat treated to Rc62-67
BSF	Steel (1 SUJ2) Quenched and tempered Heat treated to Rc56-67	Steel (1 SUJ2) Quenched and tempered Heat treated to Rc56-67
BSR-SUS	Stainless steel (1 SUS304)	Stainless steel (1 SUS440C) Quenched and tempered Heat treated to Rc59-66
BSF-SUS		Stainless steel (1 SUS440C) Quenched and tempered Heat treated to Rc59-66

BSR BSR-SUS (Round Contact)

Steel	Stainless Steel	Ball Dia.	M	L	w	L ₁	weight (g)
Part Number	Part Number						
BSR 4×6	BSR 4×6-SUS	S φ 2.5	M 4×0.7	6.5	2	0.8	0.5
BSR 4×10	BSR 4×10-SUS			10.5			0.7
BSR 4×16	BSR 4×16-SUS			16.5			1.1
BSR 5×8	BSR 5×8-SUS	S φ 3	M 5×0.8	8.6	2.5	1	0.8
BSR 5×12	BSR 5×12-SUS			12.6			1.3
BSR 5×20	BSR 5×20-SUS			20.6			2.3
BSR 6×10	BSR 6×10-SUS	S φ 4	M 6×1	10.9	3	1.4	1.5
BSR 6×16	BSR 6×16-SUS			16.9			2.4
BSR 6×25	BSR 6×25-SUS			25.9			3.9
BSR 8×12	BSR 8×12-SUS	S φ 5.5	M 8×1.25	13.3	4	1.9	3.2
BSR 8×20	BSR 8×20-SUS			21.3			5.7
BSR 8×30	BSR 8×30-SUS			31.3			8.9
BSR 10×16	BSR 10×16-SUS	S φ 7	M10×1.5	17.7	5	2.4	6.8
BSR 10×25	BSR 10×25-SUS			26.7			11.2
BSR 10×35	BSR 10×35-SUS			36.7			16.2
BSR 12×20	BSR 12×20-SUS	S φ 8.7	M12×1.75	22	6	2.9	12.4
BSR 12×30	BSR 12×30-SUS			32			19.6
BSR 12×40	BSR 12×40-SUS			42			28.5
BSR 16×25	BSR 16×25-SUS	S φ 12	M16×2	28	8	4	28
BSR 16×35	BSR 16×35-SUS			38			41
BSR 16×50	BSR 16×50-SUS			53			48

BSF **BSF-SUS** (Flat Contact)

Steel	Stainless Steel	Ball Dia.	M	L	d	w	L ₁	Weight (g)
Part Number	Part Number							
BSF 4× 6	BSF 4× 6-SUS	S φ 2.5	M 4×0.7	6	2	2	0.3	0.5
BSF 4×10	BSF 4×10-SUS			10				0.7
BSF 4×16	BSF 4×16-SUS			16				1.1
BSF 5× 8	BSF 5× 8-SUS	S φ 3	M 5×0.8	8	2.4	2.5	0.4	0.8
BSF 5×12	BSF 5×12-SUS			12				1.3
BSF 5×20	BSF 5×20-SUS			20				2.3
BSF 6×10	BSF 6×10-SUS	S φ 4	M 6×1	10	3.3	3	0.5	1.5
BSF 6×16	BSF 6×16-SUS			16				2.4
BSF 6×25	BSF 6×25-SUS			25				3.9
BSF 8×12	BSF 8×12-SUS	S φ 5.5	M 8×1.25	12	4.6	4	0.6	3.2
BSF 8×20	BSF 8×20-SUS			20				5.7
BSF 8×30	BSF 8×30-SUS			30				8.9
BSF10×16	BSF10×16-SUS	S φ 7	M10×1.5	16	6	5	0.7	6.8
BSF10×25	BSF10×25-SUS			25				11.2
BSF10×35	BSF10×35-SUS			35				16.2
BSF12×20	-	S φ 8.7	M12×1.75	20	7.4	6	0.9	12.4
BSF12×30	-			30				19.6
BSF12×40	-			40				28.5
BSF16×25	-	S φ12	M16×2	25	10.4	8	1	28
BSF16×35	-			35				41
BSF16×50	-			50				48

Features

- Available in 2 styles of ball round-contact **BSR** **BSR-SUS** flat-contact **BSF** **BSF-SUS**
- The flat-contact style **BSF** **BSF-SUS** is perfect in supporting a soft workpiece, exerting a clamping force or supporting a workpiece at an angle.

Note :

BSF **BSF-SUS** type (flat-contact style) is not provided with a ball detent element.

Application Example

