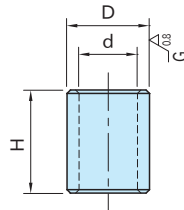


CP159

LOCATING BUSHINGS



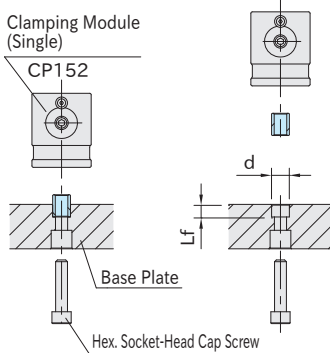
Body
SCM435 steel Quenched and tempered Black oxide finished

Part Number	d	D (h6)	H	Weight (g)
CP159-08001	8.5	12	15	7
CP159-12001	12.5	18	22	22
CP159-16001	16.5	22	28	35

How To Use

Can be used for locating **CP152** Clamping Module (Single) on the base plate.

Mounting-Hole Dimensions

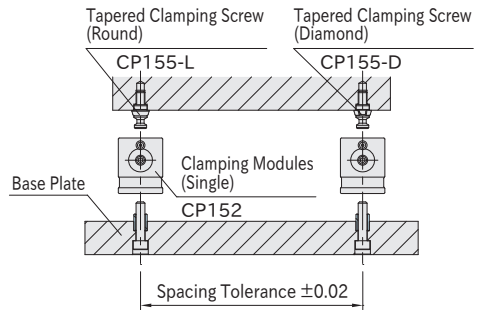


Part Number	d (H7)	Lf
CP159-08001	12	8.5
CP159-12001	18	12.5
CP159-16001	22	16.5

Related Products

- **CP152** Clamping Modules (Single)
- **CP155-L** Tapered Clamping Screws (Round)
- **CP155-D** Tapered Clamping Screws (Diamond)
- **CP156** Clamping Screws

Spacing Tolerance



Application Example

