

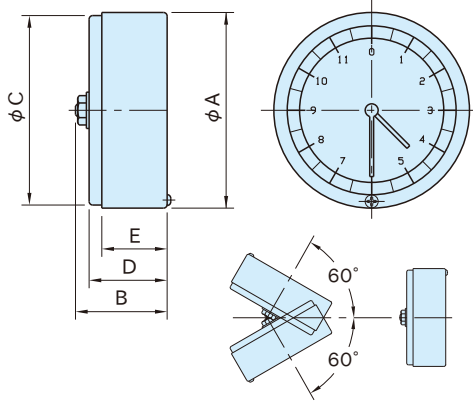
D-R / D-L / D-C DIAL INDICATORS



D75R1/12



D75C30-30

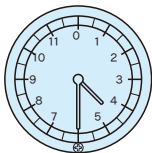


Angular Range of Mounting

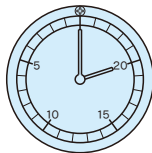
| Housing | Window | Dial Plate | Long Hand | Short Hand |
|----------------------|--------------------|----------------------|------------------------------------|------------|
| Steel Black matte | Acrylic plastic | Aluminum (A1050P) | Red (printed on acrylic window) | Black |

| Part Number | | | | | Rotative Direction | A | B | C | D | E | Weight (g) |
|-------------------------|-------------------------|-------------------------|-------------------------|-------------------------|-----------------------|------|----|------|------|----|---------------|
| No. of Graduations : 12 | No. of Graduations : 25 | No. of Graduations : 30 | No. of Graduations : 36 | No. of Graduations : 64 | | | | | | | |
| D50R1/12 | D50R1/25 | - | - | - | Clockwise | | | | | | |
| D50L1/12 | D50L1/25 | - | - | - | Counterclockwise | 53.9 | 25 | 52.2 | 21.5 | 20 | 75 |
| D50C12-12 | - | - | - | - | CW & CCW | | | | | | |
| D75R1/12 | D75R1/25 | - | D75R1/36 | D75R1/64 | Clockwise | | | | | | |
| D75L1/12 | D75L1/25 | - | D75L1/36 | D75L1/64 | Counterclockwise | 75.3 | 25 | 73.5 | 22 | 18 | 135 |
| - | - | D75C30-30 | - | - | CW & CCW | | | | | | |

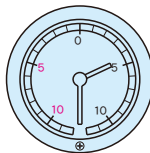
Display Examples



Type : Clockwise
Graduations : 12
Part No. : D75R1/12
Display after 4-1/2 revolution



Type : Counterclockwise
Graduations : 25
Part No. : D75L1/25
Display after 20 revolutions



Type : CW & CCW
Graduations : 12
Part No. : D50C12-12
Display after 4-1/2 clockwise revolutions

Technical Information

For detailed installation instructions, see page of "IMAO INDICATOR HANDWHEELS & INDICATOR KNOBS".

- Allowable revolution speed : 300 min⁻¹
- These indicators can mount onto **DHW** Indicator Handwheels, **DHK** Indicator Knobs, or **DRK** Knurled Indicator Knobs.
- The two-hands feature allows precisely reading the number of revolutions.
- Working temperatures range from -20°C to 60°C.
- The plastic window can be blurred with some steam caused by a big difference in working temperatures.
- Ensure that these indicators are completely kept away from water and dust.