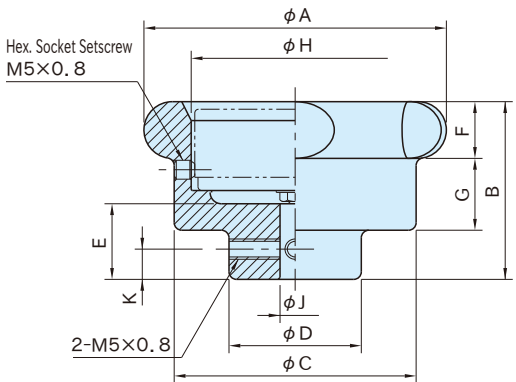
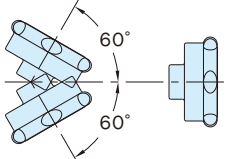


# DHK ALUMINUM LOBE INDICATOR KNOBS



Note : Dial Indicator must be ordered separately.



Angular Range of Mounting

Knob
Aluminum alloy (ADC12)
Baked finish
Silver gray

Part Number	A	B	C	D	E	F	G	H	J (H8)	K	Weight (g)
<b>DHK 80</b>	79	47	64	35	20	15	19	55	8	8	330
<b>DHK100</b>	99	53	86	38	25		21	75.7	10		530

Proper Dial Indicators

Handwheels	Dial Indicators	
	D50R/L/C	D75R/L/C
<b>DHK 80</b>	○	×
<b>DHK100</b>	×	○

• Center Caps are available for applications without a indicator

**Technical Information**

For detailed installation instructions, see page of "IMAO INDICATOR HANDWHEELS & INDICATOR KNOBS".