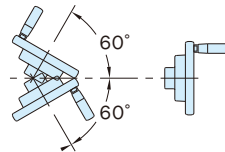
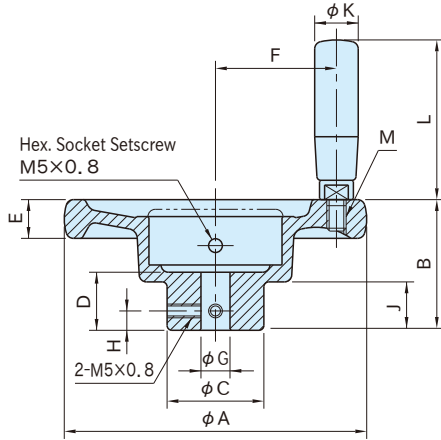


# DHW ALUMINUM SOLID INDICATOR HANDWHEELS



Note : Dial Indicator must be ordered separately.

Handwheel	Handle
Aluminum alloy (ADC12)	Polyamide plastic
Baked finish	Black
Silver gray	

Part Number	A	B	C	D	E	F	G (H8)	H	J	K	L	M	Weight (g)
<b>DHW125ER</b>	122	54	40	24	16	50	12	8	20	18	66	M 8×1.25	530
<b>DHW140ER</b>	139	55				56			19				650
<b>DHW160ER</b>	159	58	45	28		63	14	10	23	22	85	M10×1.5	810

- Comes with an **ER-S** revolving handle
- Center Caps are available for applications without a indicator

### Proper Dial Indicators

Handwheels	Dial Indicators	
	D50R/L/C	D75R/L/C
<b>DHW125ER</b>	○	×
<b>DHW140ER</b>	×	○
<b>DHW160ER</b>	×	○

### Technical Information

For detailed installation instructions, see page of "IMAO INDICATOR HANDWHEELS & INDICATOR KNOBS".