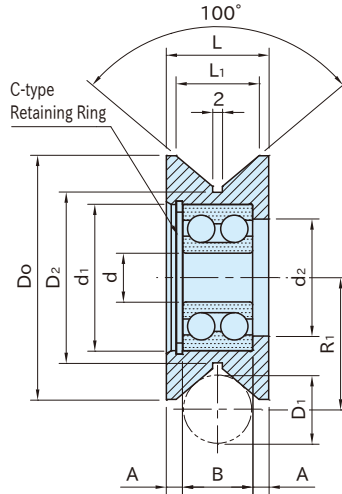


GRL-SWA-Y

Y GROOVE GUIDE ROLLERS (DOUBLE-ROW ANGULAR CONTACT BALL BEARING)



Body	Bearing/Retaining Ring
S45C steel Electroless nickel plated	Steel

Part Number	d	Do	D2	d1	d2	L	L1	min.		max.		A	B
								D1	R1	D1	R1		
GRL50SWA-Y	10	50	35	30	24	21	17	14	27	20	30.9	3.3	14.4
GRL60SWA-Y	12	60	42	32	26	23	20.1	16	32	25	37.9	3.5	16
GRL70SWA-Y	15	70	49	35	29	28	24	20	38	30	44.5	6	

Part Number	Bearing Type	Weight (g)	Applicable Roller Pins	
			RLP10SWA	RLP10EWA
GRL50SWA-Y	5200ZZ	195	RLP12SWA	RLP12EWA
GRL60SWA-Y	5201ZZ	315	RLP15SWA	RLP15EWA
GRL70SWA-Y	5202ZZ	525		

*) D1 and R1 dimensions are for polished round steel bar that is available commercially.

Features:

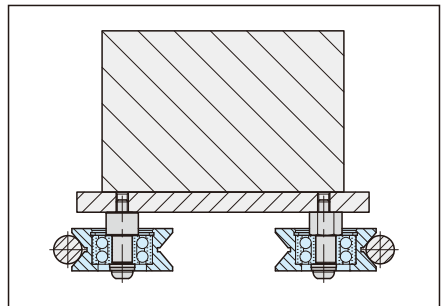
- Perfect for use in application that generates radial loads, axial loads in either direction, and moment loads.
- Use as rollers for sliding doors or carriers.
- Heavy-duty

Technical Information:

Load Rating of Bearings

Bearing Type	Basic Load Rating Cr (N)	Basic Static Load Rating Cor (N)
5200ZZ	6950	3800
5201ZZ	9150	5050
5202ZZ	10000	6050

Application Example



Related Product Page

Applicable Roller Pins

RLP-SWA ROLLER PINS

RLP-EWA ECCENTRIC ROLLER PINS