

# GRL-Y

# Y GROOVE GUIDE ROLLERS



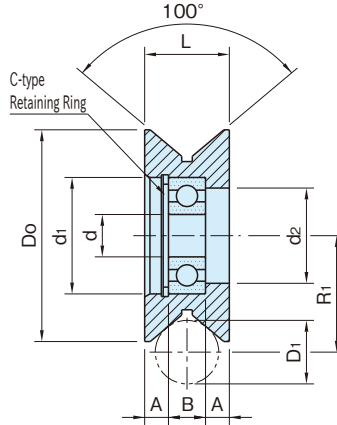
**GRL-J-Y**  
(Plastic)



**GRL-S-Y**  
(Steel)



**GRL-Y-SUS**  
(Stainless Steel)



Type	Body	Bearing	Retaining Ring
<b>GRL-S-Y</b>	S45C steel Electroless nickel plated	Steel	Steel
<b>GRL-J-Y</b>	Polycetal plastic Black		
<b>GRL-Y-SUS</b>	Stainless steel (SUS303)	Stainless steel (SUS440C)	Stainless steel (SUS304)

Size	d	Do	di	d2	L	min.		max.		A	B	Bearing Type	
						D1	R1	D1	R1				
<b>GRL-S-Y</b>	<b>30</b>	6	30	17	13	12	10	17	12	18.3	3	6	606ZZ
	<b>40</b>	8	40	22	18	16	12	22	14	23.3	4.5	7	608ZZ
<b>GRL-J-Y</b>	<b>50</b>	10	50	26	22	19	14	27	20	30.9	5.5	8	6000ZZ
<b>GRL-Y-SUS</b>	<b>60</b>	12	60	32	26	23	16	32	25	37.9	6.5	10	6201ZZ
	<b>70</b>	15	70	35	29	28	20	38	30	44.5	8.5	11	6202ZZ

Steel		Plastic		Stainless Steel		Applicable Roller Pins				
Part Number	Weight(g)	Part Number	Weight(g)	Part Number	Weight(g)					
<b>GRL30S-Y</b>	35	<b>GRL30J-Y</b>	13	-	-	-	RLP0606	RLP06E	RLP06S	
<b>GRL40S-Y</b>	90	<b>GRL40J-Y</b>	25	<b>GRL40-Y-SUS</b>	90	RLP0807F	RLP0807	RLP08E	RLP08S	
<b>GRL50S-Y</b>	170	<b>GRL50J-Y</b>	45	<b>GRL50-Y-SUS</b>	170	RLP1008F	RLP1008	RLP10E	RLP10S	
<b>GRL60S-Y</b>	300	<b>GRL60J-Y</b>	85	<b>GRL60-Y-SUS</b>	300	RLP1210F	RLP1210	RLP12E	RLP12S	
<b>GRL70S-Y</b>	510	<b>GRL70J-Y</b>	130	-	-	-	RLP1511	RLP15E	RLP15S	

## Features:

- Use as rollers for sliding doors or carriers.
- Medium-duty
- This product can accept a polished round steel bar that is available commercially.

## Technical Information:

### Load Rating of Bearings

Bearing Type	Basic Load Rating Cr (N)	Basic Static Load Rating Cor (N)
<b>606ZZ</b>	2260	840
<b>608ZZ</b>	3300	1360
<b>6000ZZ</b>	4550	1970
<b>6201ZZ</b>	6800	3050
<b>6202ZZ</b>	7650	3700