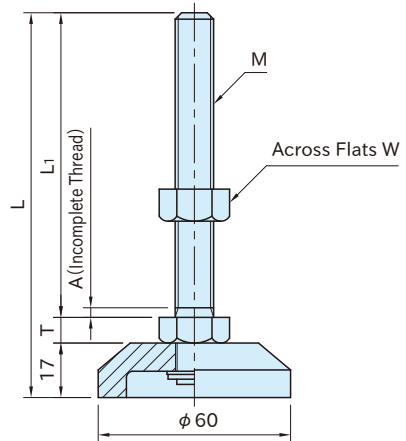


KA**LEVELING FEET, Heavy-Duty**

Foot, Stud, Hex Nut

SS400

Zinc trivalent chromate finish

Part Number	L	L ₁	T	M	W	A	Static Load Capacity (N)	Weight (g)
KA60-12×050	75	50	8	M12×1.75	19	3.5	15000	310
KA60-12×100	125	100						340
KA60-12×120	145	120						355
KA60-12×150	175	150						375
KA60-16×065	92	65	10	M16×2	24	4	20000	395
KA60-16×100	127	100						440
KA60-16×130	157	130						480
KA60-16×150	177	150						505
KA60-16×180	207	180						540
KA60-16×200	227	200						570
KA60-20×100	130	100	13	M20×2.5	30	5	40000	580
KA60-20×130	160	130						640
KA60-20×150	180	150						680
KA60-20×180	210	180						740
KA60-20×200	230	200						785

FeaturesUse **KACP** Leveling-Foot Fixing Plates to secure Heavy-Duty Leveling Feet to the ground.