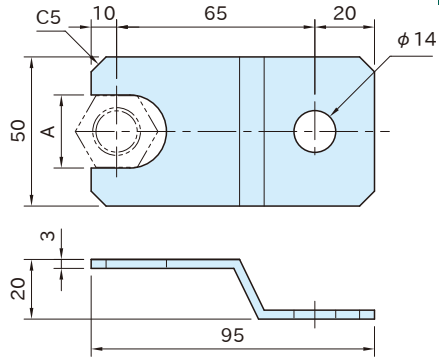


# KACP

## LEVELING-FEET FIXING PLATES



Part Number	A	Weight (g)	Heavy-Duty Leveling Feet
<b>KACP-12</b>	19	110	<b>KA60-12***</b>
<b>KACP-16</b>	24.5	105	<b>KA60-16***</b>
<b>KACP-20</b>	30.5	100	<b>KA60-20***</b>

Body
Steel (SS400)
Zinc trivalent chromate finish

### How To Use

