

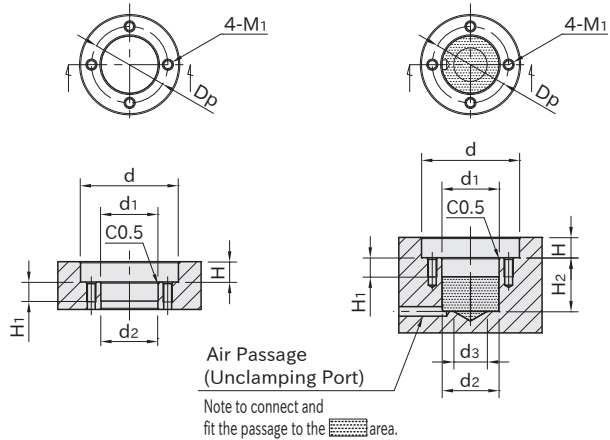
How To Install PNEUMATIC FLEX LOCATORS

■ Mounting Hole Dimensions

· Pins

AMWF-L-S (Port Style)

AMWF-L-S-G (Direct Style)

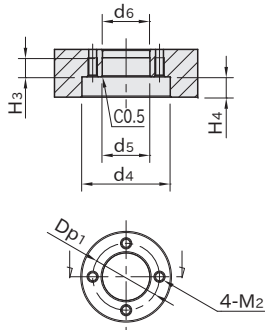


Part Number	d ₁ (H7)	H ₁	d ₂	H ₂	d ₃	d	H (±0.05)	M ₁	D _p
AMWF18L-4S	24	8.5	23.8	—	—	41	8.5	M4×0.7 Depth 8	32
AMWF26L-4S	32	9	31.8	—	—	52	10	M5×0.8 Depth10	41
AMWF18L-4S-G	24	8.5	23.8	25.5	14	41	8.5	M4×0.7 Depth 8	32
AMWF26L-4S-G	32	9	31.8	26.5	20	52	10	M5×0.8 Depth10	41

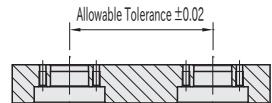
· Bushings

■ Spacing Tolerance

AMWF-BU (Bushing)



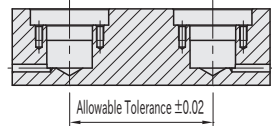
AMWF-BU (Bushing)



AMWF-L-S (Port Style)



AMWF-L-S-G (Direct Style)



Part Number	d ₅ (H7)	H ₃	d ₆	d ₄	H ₄ (±0.05)	M ₂	D _{p1}
AMWF18-BU	20	8	19.8	37	8.5	M4×0.7 Depth 8	28
AMWF26-BU	25	7.5	24.8	45	10	M5×0.8 Depth10	34