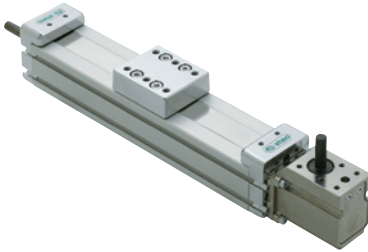


MAG5040DS

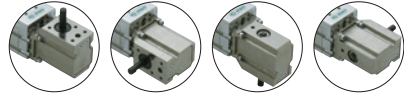
MECHANICAL LINEAR ACTUATORS WITH ADJUSTABLE GEARBOX (Synchro-Use)

On Request 

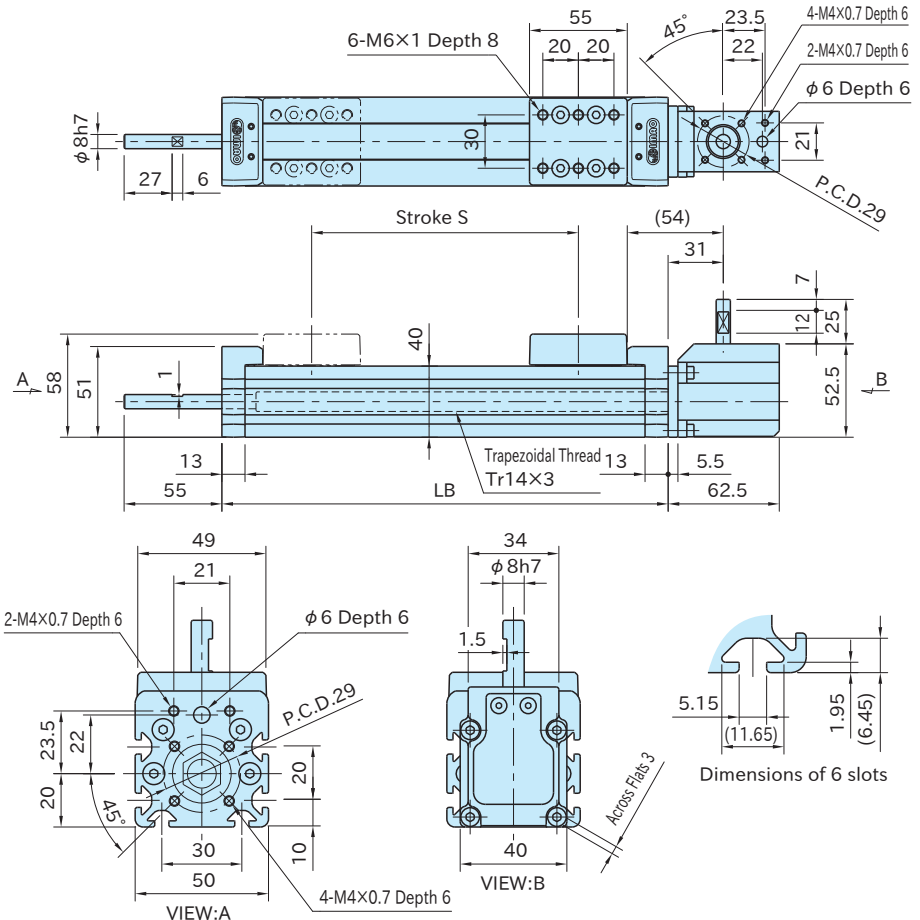
IMAO



Body	Carriage/End Plates	Shaft	Trapezoidal Nut
A6N01 aluminum Anodized Natural	ZDC2 die-cast zinc Chrome plated	S45C steel Black oxide finish	CAC302 copper alloy
Screw	Dustproof Sheet	Gearbox	
SCM435 steel Trivalent chromate	SUS304H stainless steel	S45C steel Electroless nickel plated	



Gearbox can be positioned at every 90 degree.

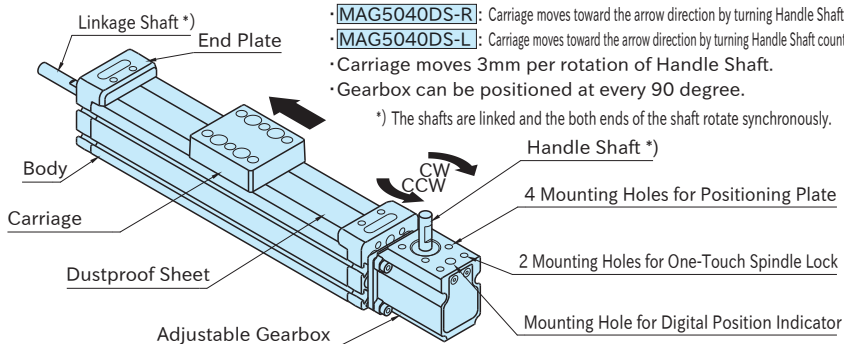


Part Number	Rotative Direction	S	LB	Weight (kg)	Delivery Time
MAG5040DS-100R	CW	100	201	2.0	10 Working Days
MAG5040DS-100L	CCW				
MAG5040DS-150R	CW	150	251	2.2	
MAG5040DS-150L	CCW				
MAG5040DS-200R	CW	200	301	2.4	
MAG5040DS-200L	CCW				
MAG5040DS-250R	CW	250	351	2.6	
MAG5040DS-250L	CCW				
MAG5040DS-300R	CW	300	401	2.8	
MAG5040DS-300L	CCW				

Related Product

- Choose the optional elements for your needs.
- For actuators with customized stroke, see [\[MAGX5040DS\]](#).
 - One-Touch Spindle Locks
 - Positioning Plate
 - Digital Position Indicators
 - Adapter Shafts
 - Handwheels
 - Pair of Stops
 - T-Nuts
 - Groove Cover

How To Use



Note

The gearbox will be delivered with mounted to Mechanical Linear Actuators in the orientation as in the figure above.

Reference

- How To Change Gearbox Position
- Dimensions of Gearbox
- Technical Information of Mechanical Linear Actuators