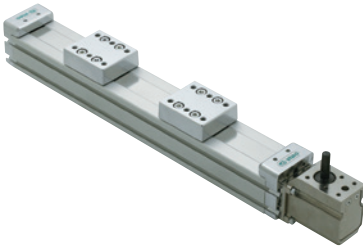


MAG5040SW

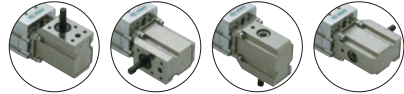
MECHANICAL LINEAR ACTUATORS WITH ADJUSTABLE GEARBOX (Dual Carriage)

On Request 

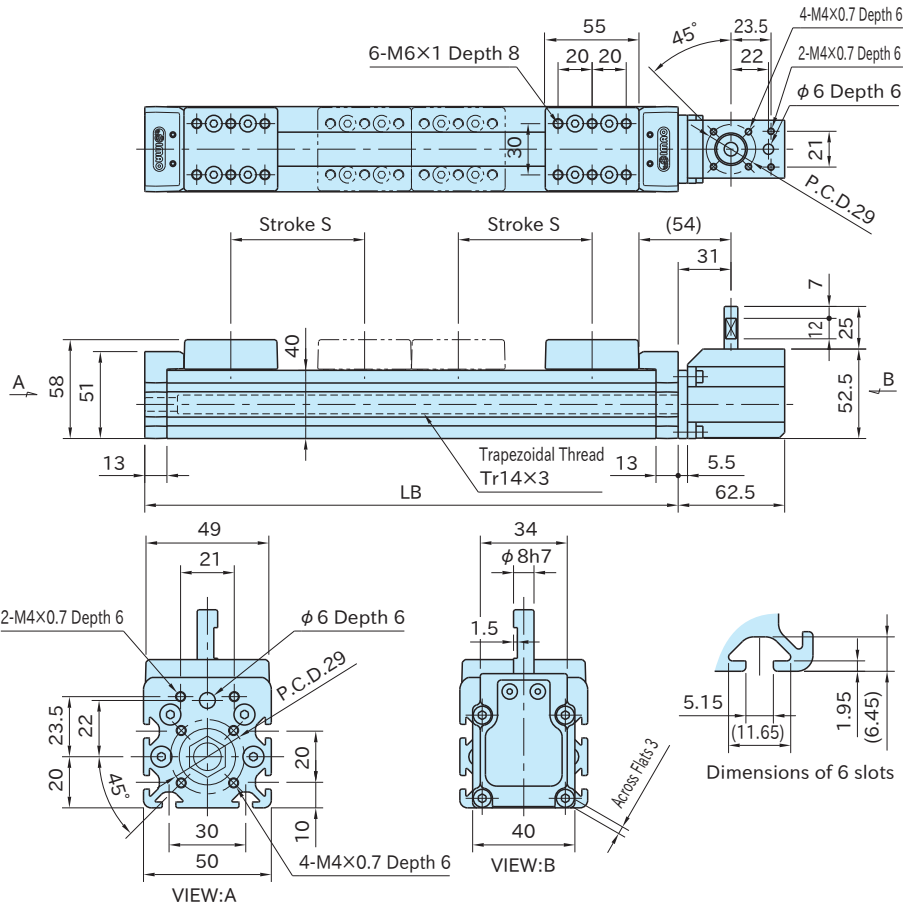
IMAO



Body	Carriage/End Plates	Shaft	Trapezoidal Nut
A6N01 aluminum Anodized Natural	ZDC2 die-cast zinc Chrome plated	S45C steel Black oxide finish	CAC902 copper alloy
Screw	Dustproof Sheet	Gearbox	
SCM435 steel Trivalent chromate	SUS304H stainless steel	S45C steel Electroless nickel plated	



Gearbox can be positioned at every 90 degree.



Part Number	S	LB	Weight(kg)	Delivery Time
MAG5040SW-100	100	356	2.9	10 Working Days
MAG5040SW-150	150	456	3.3	

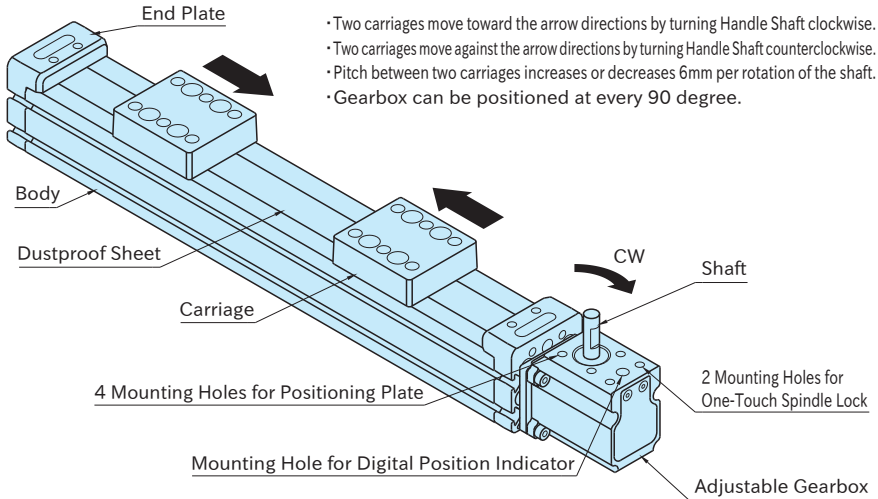
Note

The gearbox will be delivered with mounted to Mechanical Linear Actuators in the orientation as in the figure below.

Reference

- How To Change Gearbox Position
- Dimensions of Gearbox
- Technical Information of Mechanical Linear Actuators

How To Use



Related Product

Choose the optional elements for your needs.

• For actuators with customized stroke, see [MAGX5040SW](#).

- One-Touch Spindle Locks
- Positioning Plate
- Digital Position Indicators
- Adapter Shafts
- Handwheels
- Pair of Stops
- T-Nuts
- Groove Cover