

QCPCS

HEAVY DUTY PIN HOLDING CLAMPS



Stainless Steel

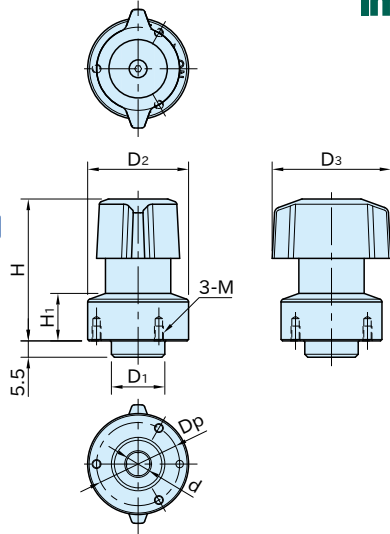


QCPCS **QCPCS-SUS**
(OFF position)



QCPCS
(ON position)

Stainless Steel



★Key Point

Minimises space requirement with clamping pins.

Type	Body	Wedge	Knob	Ball	Spring
QCPCS	SUS303 stainless steel	SUS630 stainless steel	Polyamide (glass-fiber reinforced) Black	SUS440C stainless steel	SUS304WPB stainless steel
QCPCS-SUS		Precipitation hardened	SCS13 stainless steel (Equivalent to SUS304)	Quenched and tempered	

Size	Proper Plate Thickness	d (+0.4)	D ₁ (h9)	D ₂	D ₃	H	H ₁	M	D _p	Clamping Force(N)	Holding Force (N)**	Proper Clamping Pins	
QCPCS QCPCS-SUS	0625-20	3~20 *)	6	14	25	30	40	14.7	M2×0.4 Depth 4	21	150	450	QCPCS 0625-M4-SUS QCPCSF0625-M5-SUS QCPCSF0625-M6-SUS
	0834-20	3~20 *)	8	18	34	40	48	16	M3×0.5 Depth 5	28	250	750	QCPCS 0834-M5-SUS QCPCSF0834-M6-SUS

*) Spacer QCASP is required for thinner plate than 6mm.

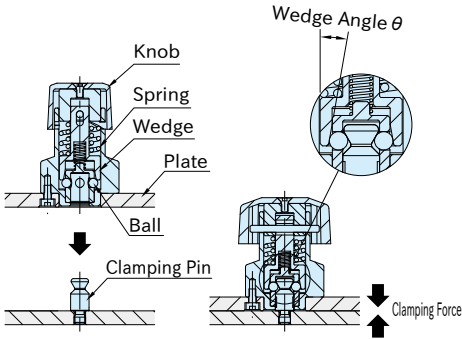
**) Exceeding the holding force creates a gap of greater than 0.1mm between plates.

QCPCS (Plastic Knob)		QCPCS-SUS (Stainless Steel)	
Part Number	Weight (g)	Part Number	Weight (g)
QCPCS0625-20	85	QCPCS0625-20-SUS	100
QCPCS0834-20	165	QCPCS0834-20-SUS	195

Supplied With

- **QCPCS** **QCPCS-SUS** 0625-20:
3 of socket-head cap screws(stainless steel), M2×0.4-5L
- **QCPCS** **QCPCS-SUS** 0834-20:
3 of socket-head cap screws(stainless steel), M3×0.5-6L

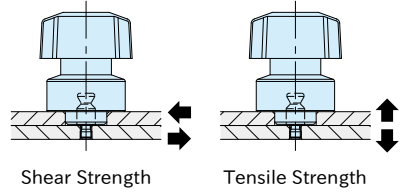
Feature



Four balls hold the Clamping Pin to pull the plate for clamping.

Mechanical Strength

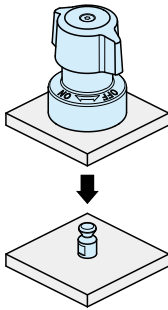
Heatresistant Temperature **QCPCS** 130°C
QCPCS-SUS 180°C



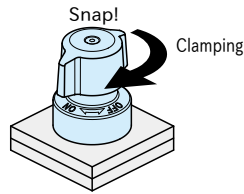
Size	Clamping Pin Size	Shear Strength (N)	Tensile Strength (N)
QCPCS	0625-20	QCPCS 0625-M4-SUS	1100
		QCPCSF0625-M5-SUS	1800
QCPCS-SUS	0834-20	QCPCS 0834-M5-SUS	1800
		QCPCSF0834-M6-SUS	2400

Shear and tensile strength is allowable load and the fastener could break when it receives bigger load.

How To Use



1. Ensure that the knob is positioned at the "OFF" mark and put Pin Holding Clamp over the Clamping Pin.

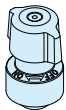


2. Turn the knob to the "ON" mark for clamping.
 Note: For unclamping, follow back these steps.

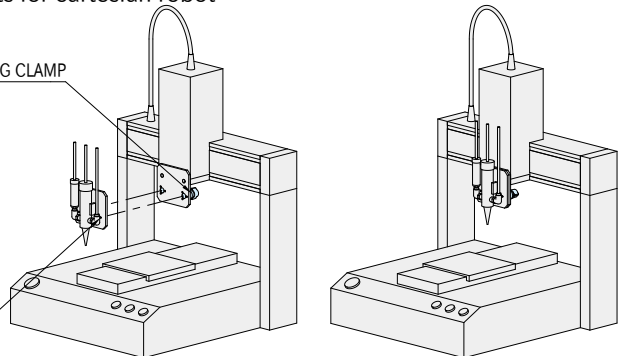
Application Example

Changes of attachments for cartesian robot

HEAVY DUTY PIN HOLDING CLAMP
 QCPCS0625-20



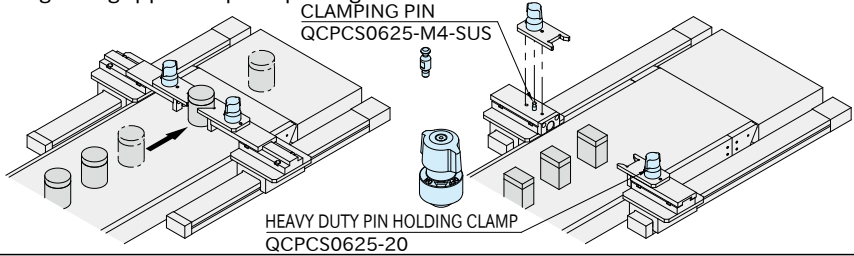
CLAMPING PIN
 QCPCS0625-M4-SUS



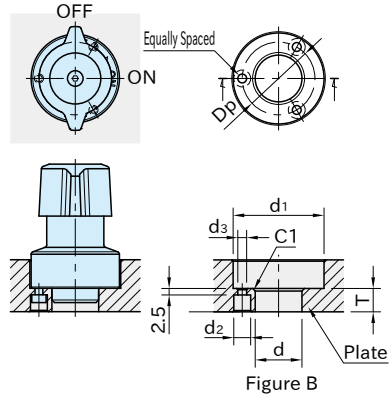
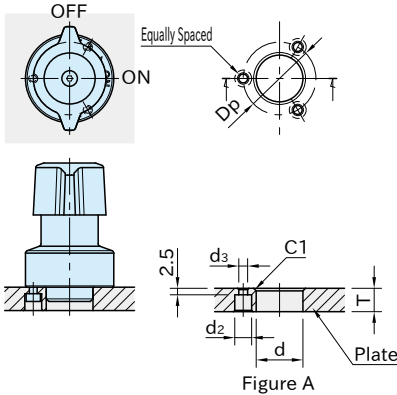
Continuing on Next Page

Application Example

Changes of gripper for parts picking machine



How To Install



Size	Clamping Pin Size	Proper Plate Thickness	Figure	d ($\begin{smallmatrix} +0.10 \\ +0.05 \end{smallmatrix}$)	T (± 0.2)	d ₁	d ₂	d ₃	Dp
QCPCS QCPCS-SUS	0625-20	3 or more, under 6	Spacer QCASP is required.						
		6	A	14	6	-	4.4	2.4	21
		Over 6, 20 or less	B			26			
		9 ***)	A	9	-				
QCPCS	QCPCSF0625-M5-SUS	Over 9, 20 or less	B	26	-	-	-	-	
QCPCS	0834-20	3 or more, under 6	Spacer QCASP is required.						
		6	A	18	6	-	6.5	3.4	28
		Over 6, 20 or less	B			35			
		9 ***)	A	9	-				
QCPCS	QCPCSF0834-M6-SUS	Over 9, 20 or less	B	35	-	-	-	-	

QCPCS-M / QCPCSF-M CLAMPING PINS



QCASP SPACERS



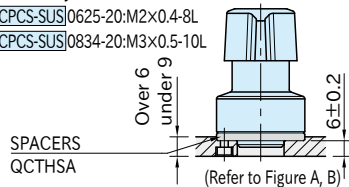
QCTHSA SPACERS



***) For plates with thickness between 6 - 9 mm, **QCPCSF-M** Clamping Pins are applicable with **QCTHSA** Spacers.

Hexagon socket head cap screws for fixing are to be provided by customer.

- QCPCS QCPCS-SUS)0625-20:M2x0.4-8L
- QCPCS QCPCS-SUS)0834-20:M3x0.5-10L



Accuracy

■ Machining Accuracy



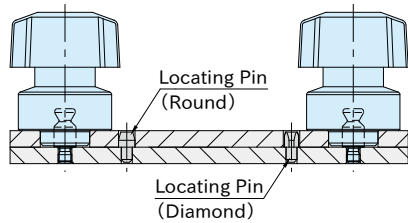
Spacing tolerance on both the subplate and the base plate should be ± 0.1 .

Reference

- "How To Install" of [\[QCPCS-M\]](#), [\[QCPCSF-M\]](#) Clamping Pin.
- Spacer [\[QCASP\]](#) is required for 3mm or more, under 6mm plate thickness.

■ Repeatability

Repeatability ± 0.25



For higher accurate locating, use locating pins.