

# RLP-S

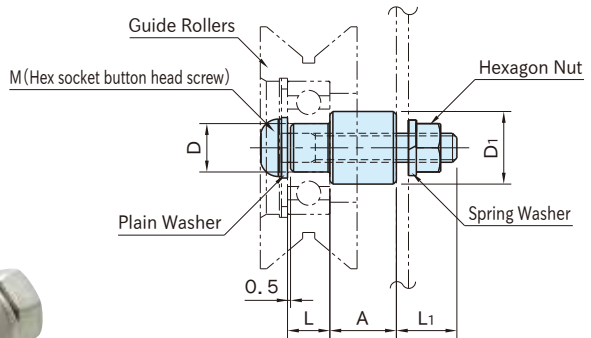
# ROLLER PINS



**RLP-S**  
(Steel)



**RLP-S-SUS**  
(Stainless Steel)



Type	Body
<b>RLP-S</b>	S45C steel Black oxide finished
<b>RLP-S-SUS</b>	Stainless steel (SUS303)

Steel Part Number	Stainless Steel Part Number	D (g7)	L	D <sub>1</sub>	A	M	L <sub>1</sub>	Weight (g)
<b>RLP06S</b>	-	6	6	10	8.5	M 4×0.7 -25L	9.7	10
<b>RLP08S</b>	<b>RLP08S-SUS</b>	8	7	12	12	M 5×0.8 -30L	10	18
<b>RLP10S</b>	<b>RLP10S-SUS</b>	10	8	16	13.5	M 6×1 -35L	11.9	35
<b>RLP12S</b>	<b>RLP12S-SUS</b>	12	10	19	15.5	M 8×1.25-40L	12.9	62
<b>RLP15S</b>	-	15	11	22	18.5	M10×1.5 -45L	13.5	105

## How To Use

Use as a shaft for Guide Rollers.

## Features:

- Stainless-steel roller pins have excellent resistance to corrosion.
- Perfect for use on food processing machines and washing machines.

## Note

Depending on thickness of the mounting plate, prepare a proper hex socket button head screw that is commercially available.