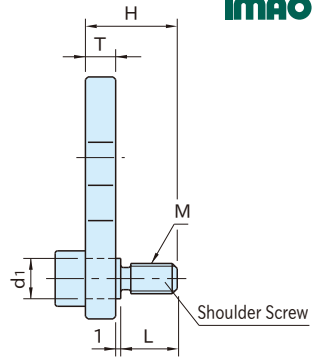
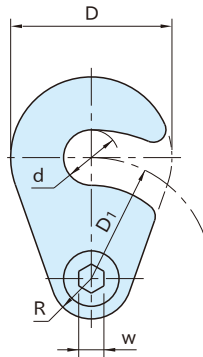


SW**SWING C WASHERS**

Washer	Shoulder Screw
Steel(S50C)	Steel(S45C)
Black oxide finish	Black oxide finish
Heat treated to Rc39-45	Heat treated to Rc33-39

Part Number	D	D ₁	d	T	M	L	w	H	R	d ₁	Weight (g)	Shoulder Screws
SW 6	20	18	6.6	6	M6×1	8	5	15	R 8	8	26	SW10-02
SW 8	26	21	9								34	
SW10	32	24	11								47	
SW12	40	27	13.5	8	M8×1.25	11	6	20	R10	10	90	SW12-02
SW16	50	33	18								125	