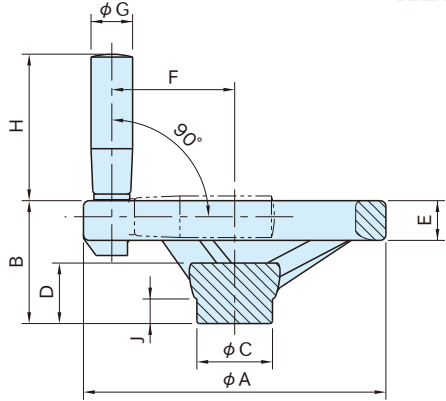


SY**CAST IRON ANGLED-SPOKE HANDWHEELS**

| Handwheel | Handle |
|--------------|-------------------|
| Cast iron | Polyamide plastic |
| Powder baked | Black |
| Black | Black |

| Part Number | A | B | C | D | E | F | G | H | J | Weight (g) |
|--------------|-----|----|----|----|----|-----|----|----|----|------------|
| SY160 | 160 | 65 | 40 | 32 | 21 | 65 | 22 | 78 | 13 | 1,850 |
| SY200 | 200 | 70 | 45 | 36 | 25 | 85 | | | 15 | 2,900 |
| SY250 | 250 | 75 | 50 | 40 | 27 | 105 | 28 | 97 | 18 | 4,200 |

Features:

- Comes with a **SFR** revolving fold-away handle.
- The rim has finger grips.